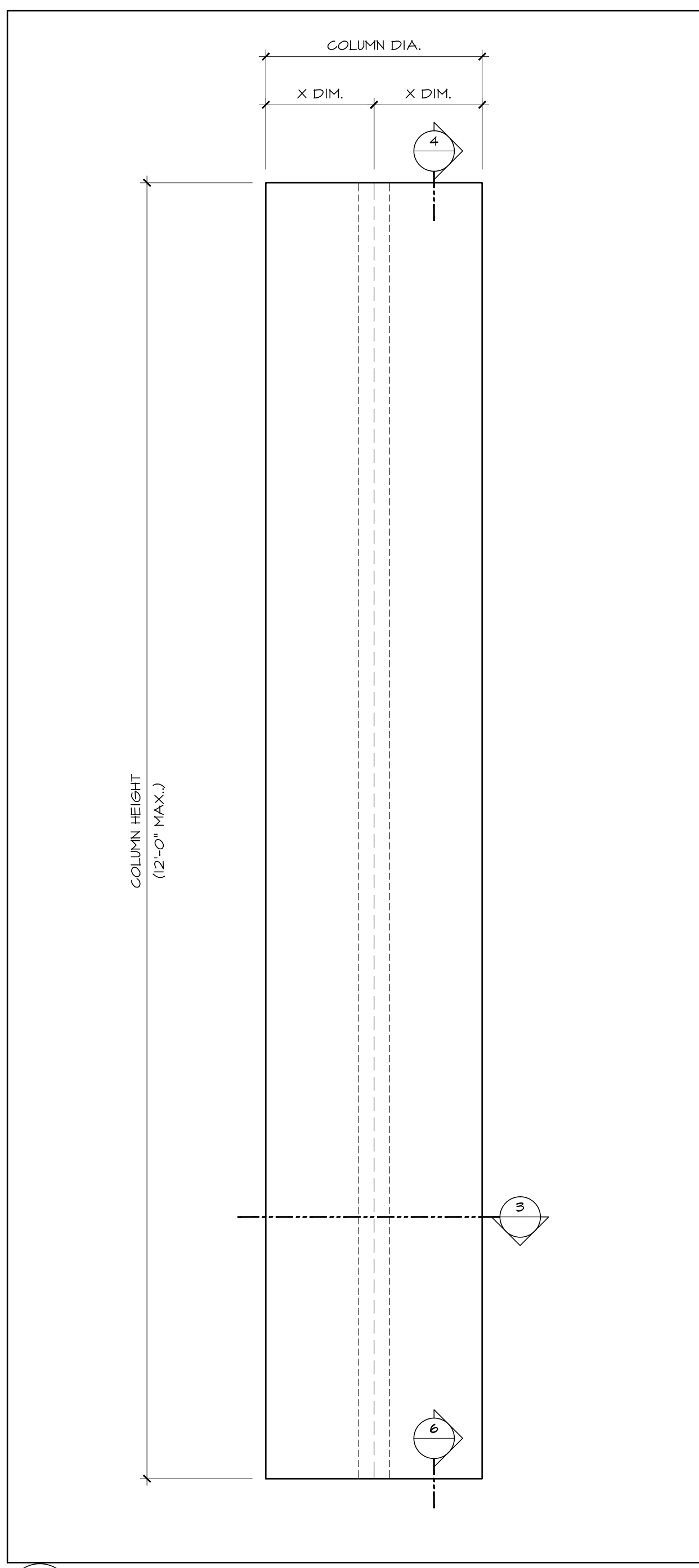
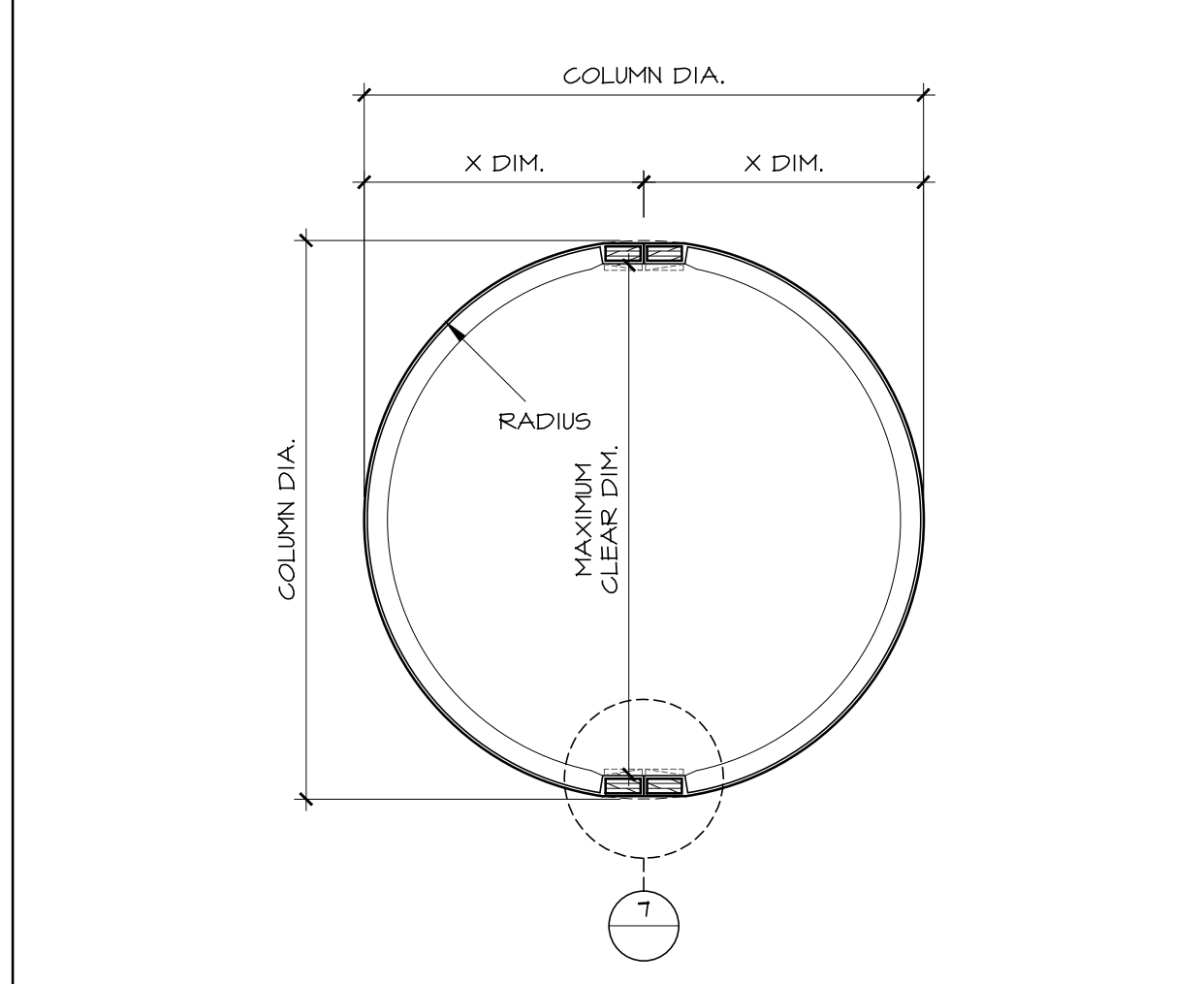


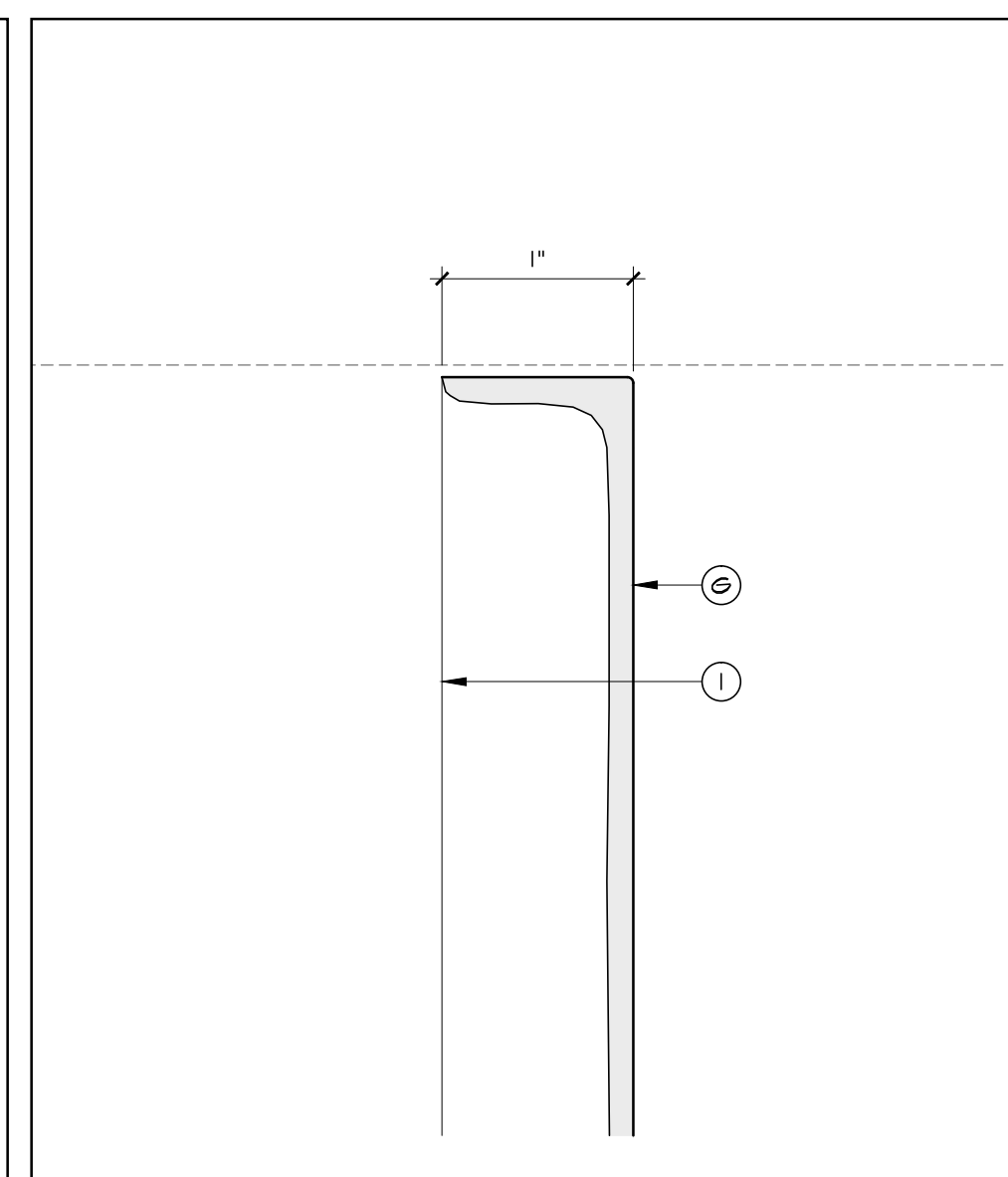
1 COLUMN ELEVATION
SCALE: 1"=1'-0"
REF:



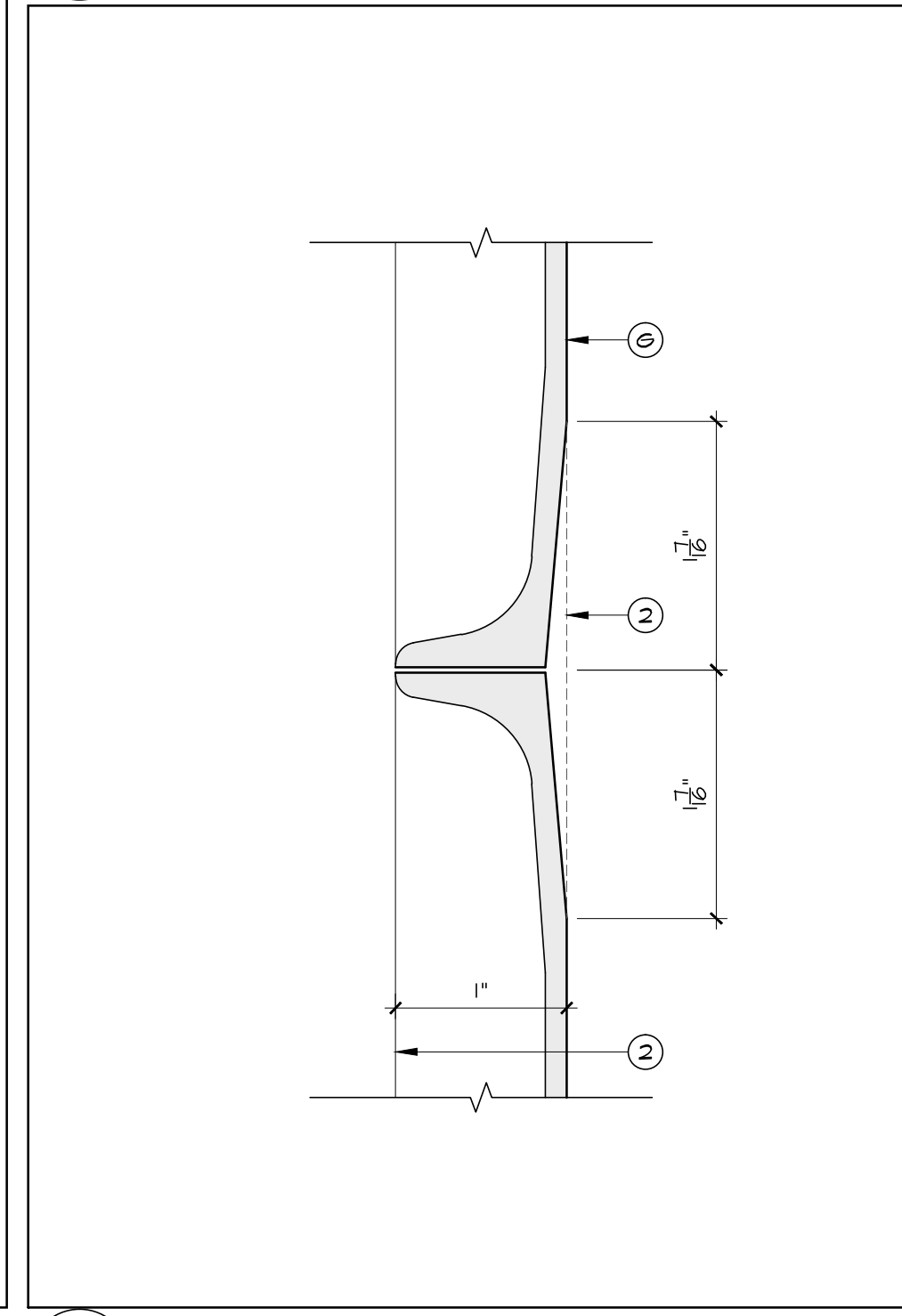
2 COLUMN ELEVATION
SCALE: 1"=1'-0"
REF:



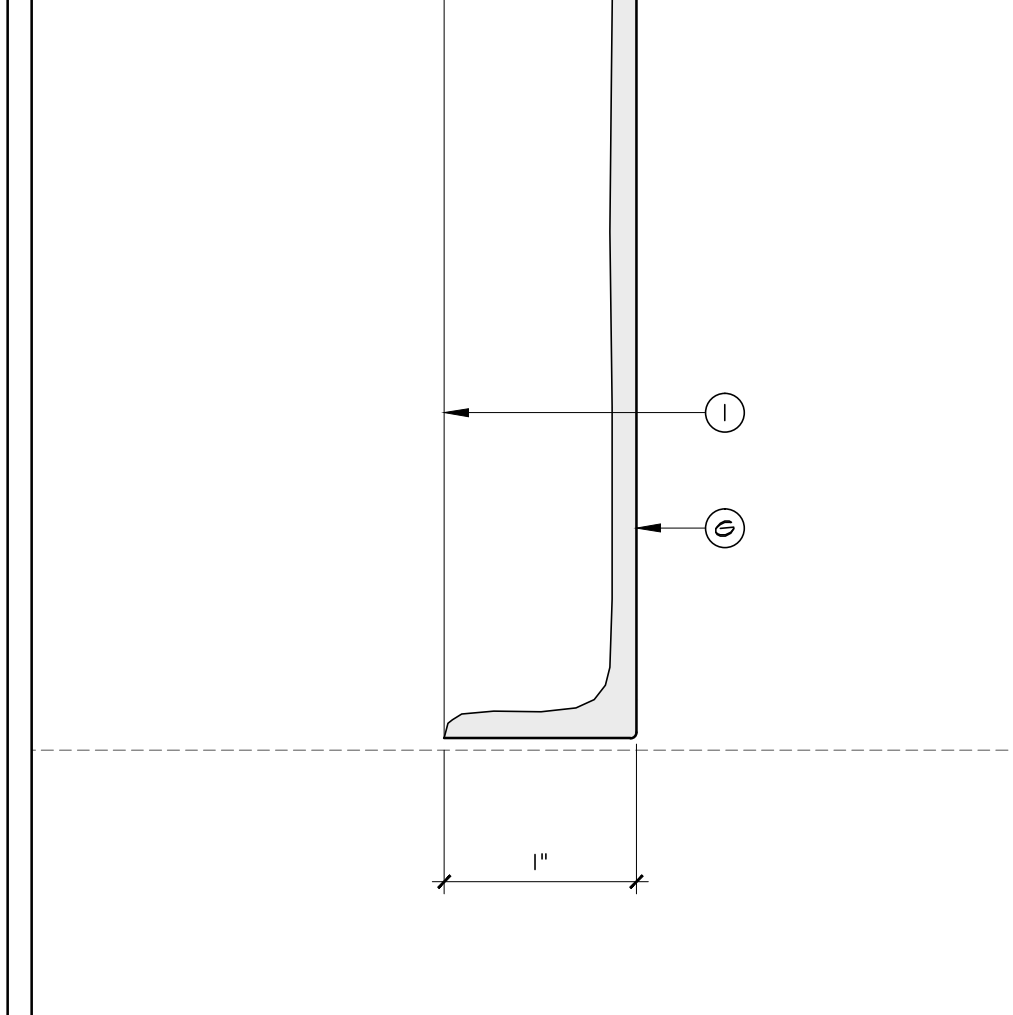
3 COLUMN PLAN SECTION
SCALE: 1 1/2"=1'-0"
REF:



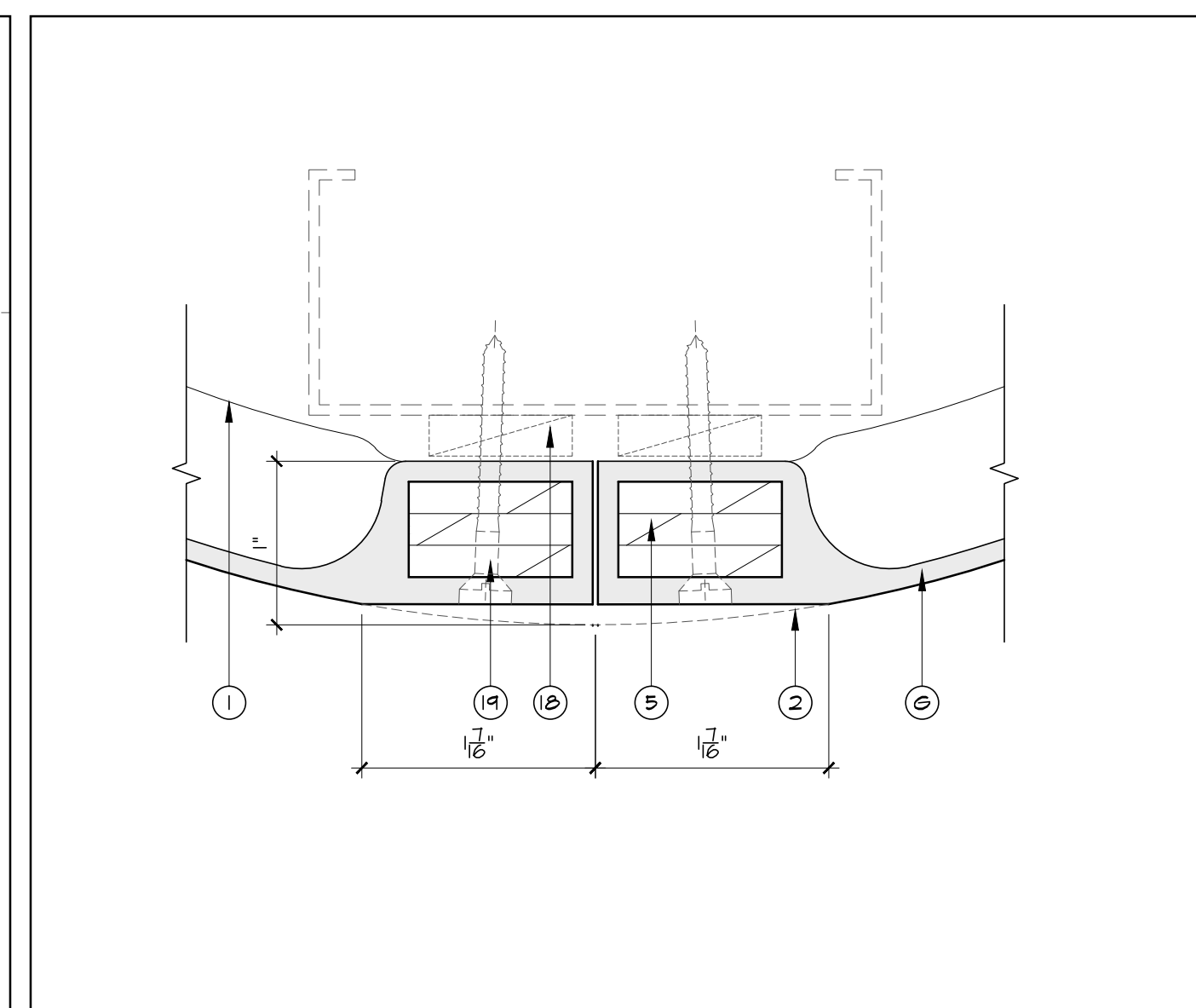
4 DETAIL AT COLUMN TOP
SCALE: FULL
REF:



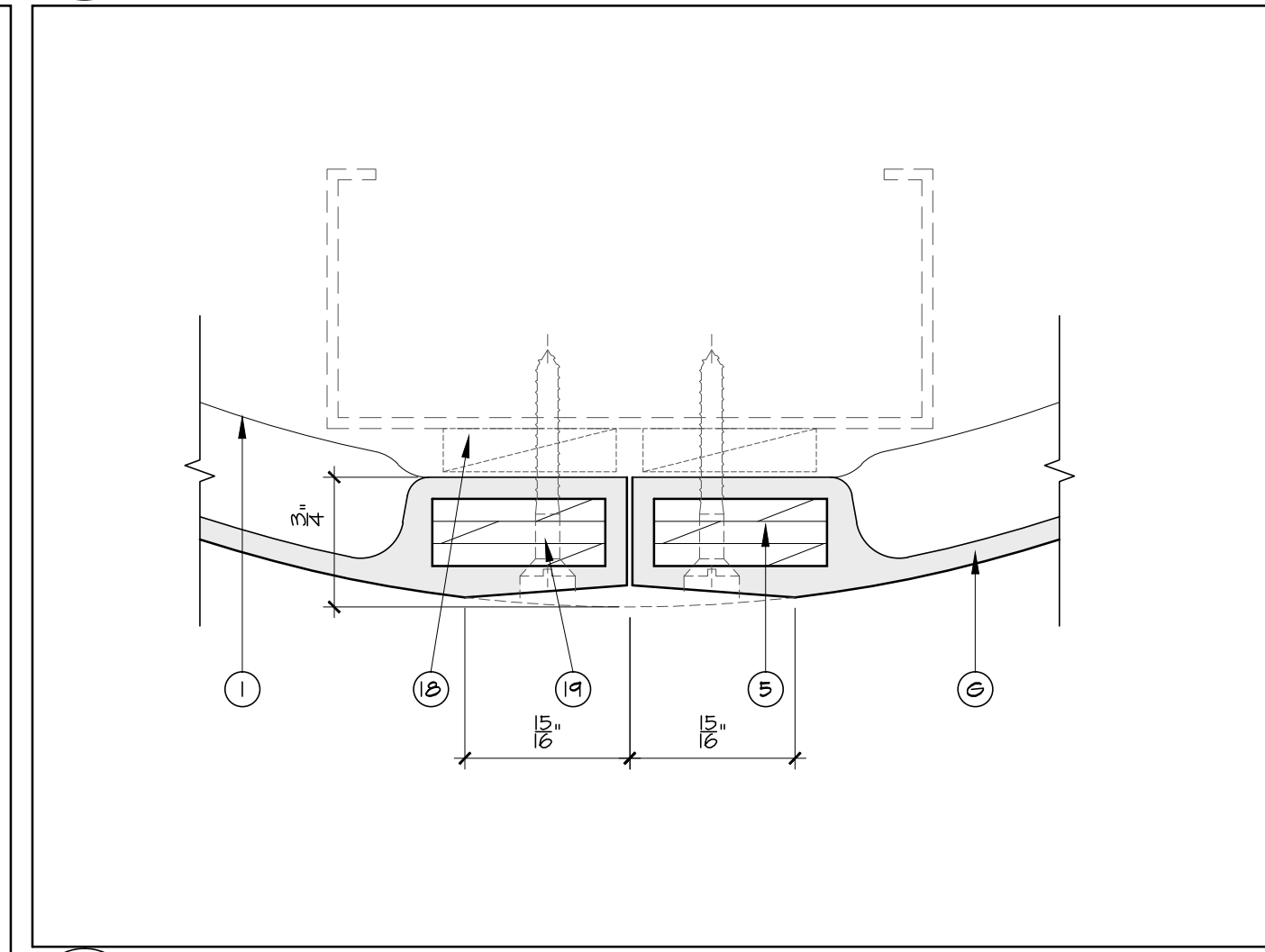
5 HORIZONTAL STACK JOINT
SCALE: FULL
REF:



6 DETAIL AT COLUMN BOTTOM
SCALE: FULL
REF:



7 TAPE JOINT DETAIL FOR COL. GREATER THAN 16" DIA.
SCALE: FULL
REF:



8 TAPE JOINT DETAIL FOR COL. LESS THAN 16" DIA.
SCALE: FULL
REF:

STANDARD LEGEND
G.R.G. (G/PG)

(G) G.R.G. [GLASS REINF. GYPSUM]	
(PG) G.R.G. [FACTORY FINISHED]	
(1) FLANGES	(W) WOOD FLANGES
(2) TAPE REVEAL [FIELD TAPED]	(S) STEEL FLANGES
(3) JOINT [V]	
(4) DRAFT	
(5) PLYWOOD REINF. [CONT.'S]	
(6) PLYWOOD BLOCK INSERT	
(7) N/A	
(8) STEEL "L" OR "Z" [NOT CONT.'S]	(16) DRYWALL OR PLYWOOD BACKING
(9) BUILT-IN "U" REINF. [CONT.'S]	(17) FRAMING, BLOCKING, ETC.
(10) BUILT-IN ROD REINF.	(18) SHIMS
(11) BUILT-IN LOOP [HANGER]	(19) SCREWS [FILLED AS REQ'D]
(12) BUILT-IN WOOD GUSSET	(20) CAULKED JOINT
(13) BEVEL EDGES / CORNERS	(21) ADHESIVE
(14) FALSE JOINT	(22)
(15) N/A	(23)
	(24)

MISCELLANEOUS
(XX) NUMBER DENOTES RECOMMENDED INSTALLATION SEQUENCE
* ASTERISK DENOTES SITE CUT PART
ALL BUILT-IN STEEL IS GALVANIZED

CERTIFICATION
FORMGLAS IS REGISTERED AS AN ISO 9001-2000 COMPANY

- G.R.G. NOTES**
ALWAYS FIELD FINISHED
- INSTALLATION**
 - FASTENING, SUSPENSION AND BRACING METHODS INDICATED ARE TO BE CONSIDERED A GUIDE ONLY. THE INSTALLATION CONTRACTOR SHALL ABIDE BY LOCAL CODES, VERIFY JOB CONDITIONS AND ADJUST INSTALLATION PROCEDURES ACCORDINGLY.
 - SOME SITE CUTTING AND/OR GRINDING OF PARTS MAY BE REQUIRED.
 - TAPING AND CONTROL JOINTS (WHERE APPLICABLE)**
 - FOLLOW U.S.G. GYPSUM CONSTRUCTION HANDBOOK (LATEST EDITION) REGARDING TAPING METHODS AND CONTROL JOINTS.
 - PAINING**
 - SURFACE IMPERFECTIONS WILL OCCUR AT TIMES. SAND OR PATCH WITH SPACKLE / PAINT FILLER COMPOUNDS. FOLLOW A.S.T.M.C. 840 PAINT SPECIFICATIONS REGARDING SEALING AND FINISHING TO AVOID TAPE JOINT READ THROUGH.
 - GLOSS PAINT IS NOT RECOMMENDED.
 - DRAFT ANGLES AND RADI**
 - DRAFT ANGLES ARE REQUIRED FOR MOLD RELEASE. UNLESS SPECIFICALLY NOTED, REVEALS, SETBACKS OR RETURNS WILL BE DRAFTED BETWEEN 5° AND 10°. ALL CORNERS WILL HAVE A SLIGHT RADIUS UNLESS SPECIFICALLY NOTED.
 - TOLERANCES**
 - SHELL THICKNESS: $\pm \frac{1}{16}$ " (1.6MM)
 - DIMENSIONAL IN ALL DIRECTIONS: (MIN.) $\pm \frac{1}{16}$ " (3.2MM)
 - WARPAGE OR BOWING: $\pm \frac{1}{16}$ " PER FT (0.5MM PER CM)
 - FIELD SHIMMING MAY BE REQUIRED
 - ITEMS EXCLUDED**
 - UNLESS SPECIFICALLY NOTED, HARDWARE, CLIPS, FASTENERS, ADHESIVE, CAULKING, TAPING MATERIALS, etc. ARE TO BE SUPPLIED BY OTHERS.
 - SEE FORMGLAS SPECIFICATIONS**
 - FOR ADDITIONAL INFORMATION
 - NOTE**
 - ALL "CUSTOM MOLDS" WILL BE DESTROYED ONE MONTH AFTER DELIVERY OF MATERIALS. CONTRACTOR/ OWNER MAY NEGOTIATE TO RETAIN MOLDS.
 - NOTE**
 - DRAWING APPROVAL CONSTITUTES REVIEW OF CONTENT. STANDARD LEGEND, GENERAL NOTES, COLORS, FINISHES/PATTERN AND DIMENSIONAL VERIFICATION.
 - FORMGLAS PRODUCTS LTD. WILL PROCEED WITH MANUFACTURING UPON RECEIPT OF WRITTEN APPROVAL OF SHOP DRAWINGS.

ISSUED FOR APPROVAL

REVISIONS _____ DATE _____

Formglas
Products Ltd.

2 CHAMPAGNE DRIVE, TORONTO, ONT. M3J-2C5 CANADA
TEL: (416) 635-8030 FAX: (416) 635-6588
338 FOURTEEN ST, SUITE 150 AMBRIDGE, PA 15003 USA
TEL: (724) 266-1220 FAX: (724) 266-7174
AVE. RUBILINA 88, PARQUE INDUSTRIAL PALAÇO, MEXICALI, B.C.
TEL: (686) 582-7609 FAX: (686) 582-7615
E-MAIL: ENG@FORMGLAS.COM

FORMGLAS COLUMN
ELEVATIONS/PLAN/DETAILS

DATE: _____ SCALE: AS SHOWN
DRAWN: _____ CHECKED: _____
DRWG: _____

DATE: 03_OCT_2011 - 4:50PM
FILE NAME: C:\BROAD\STANDARD DRAWINGS\G.R.G. COLUMN DETAILS.DWG