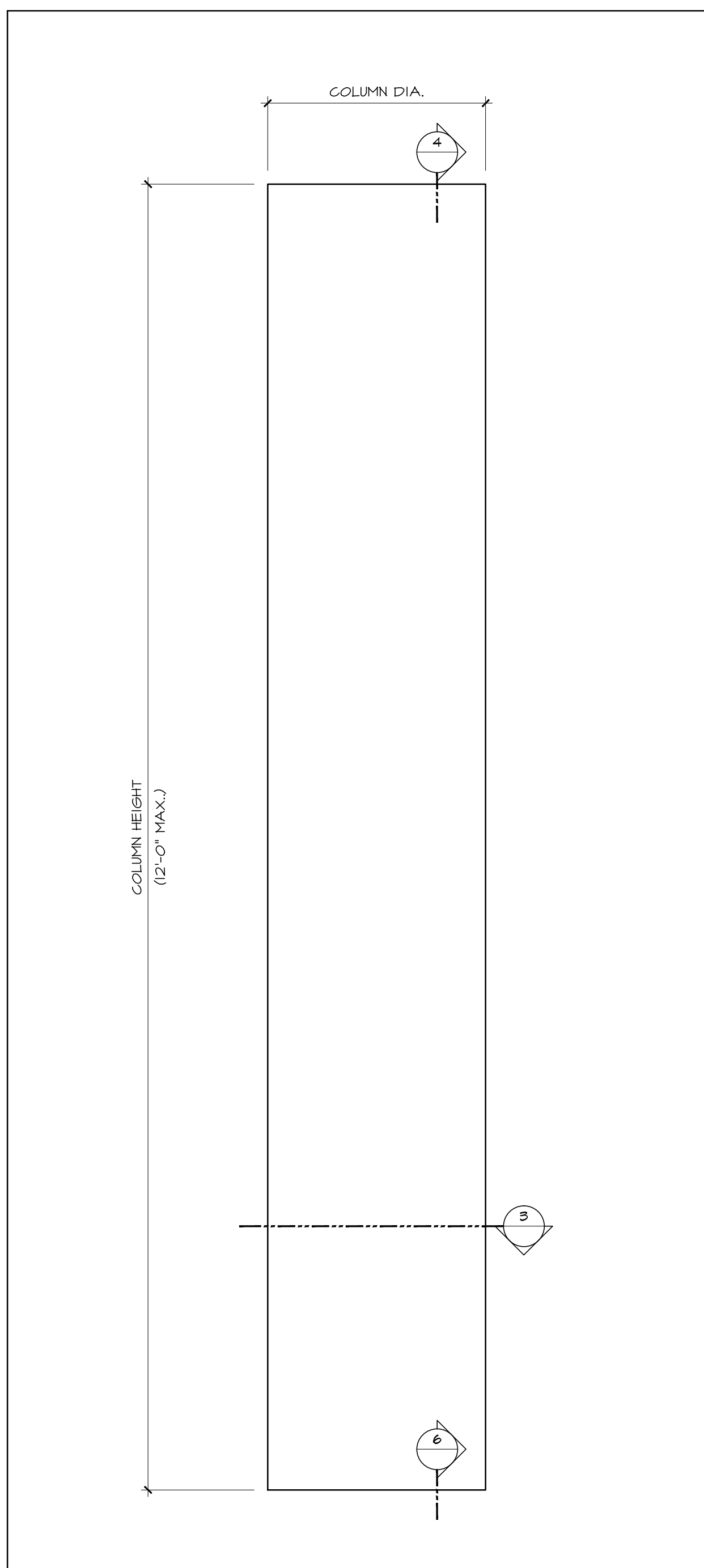
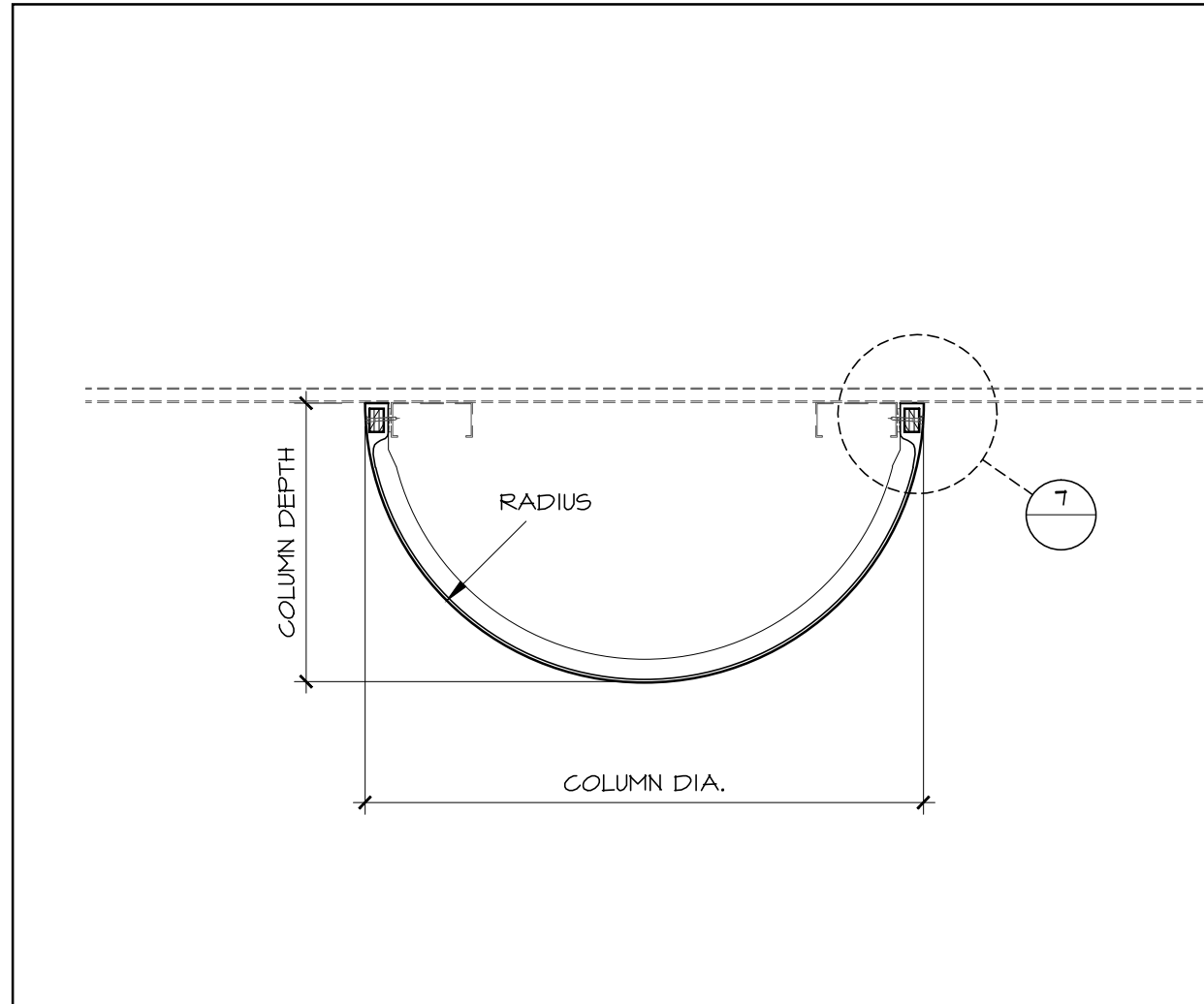


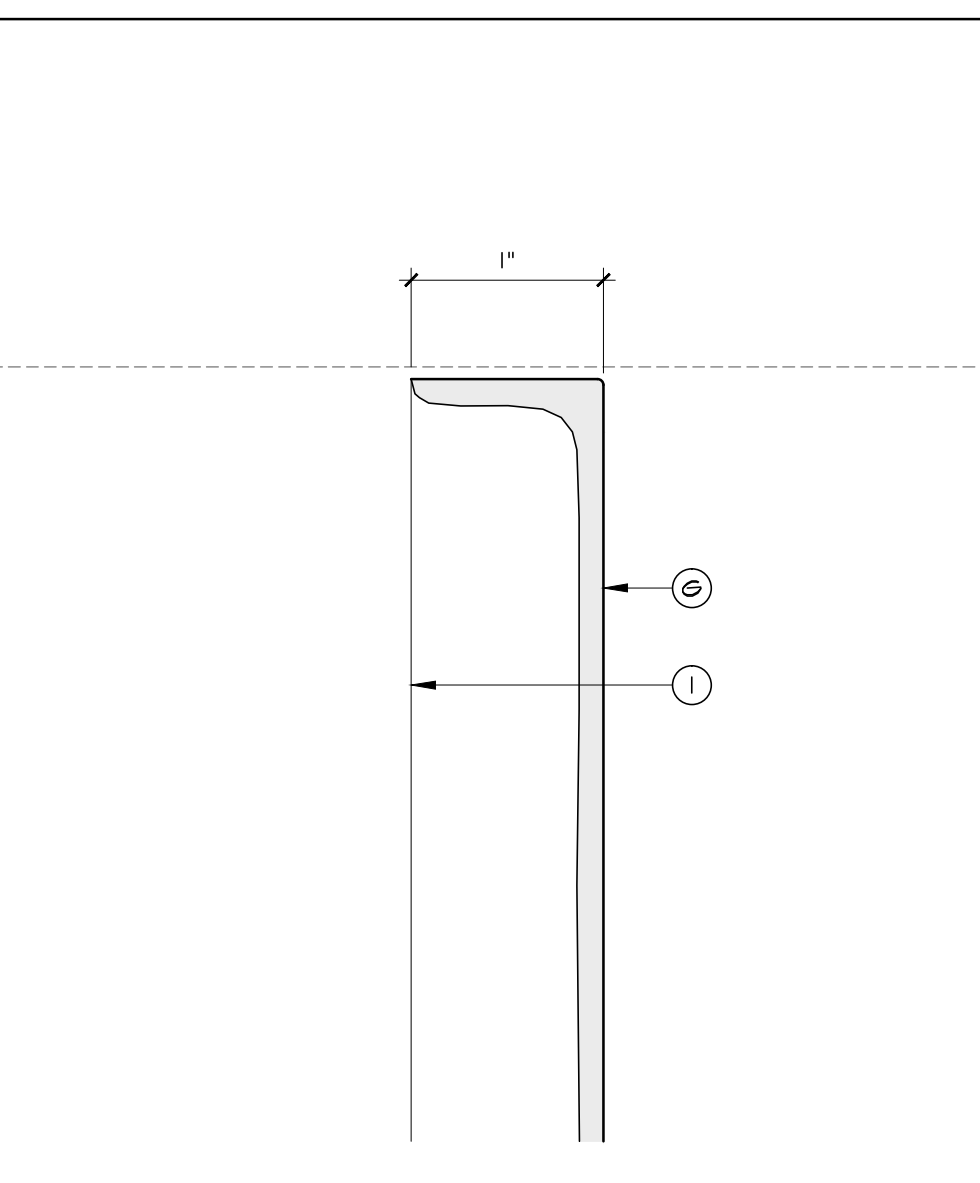
**1 COLUMN ELEVATION**  
SCALE: 1"=1'-0"  
REF:



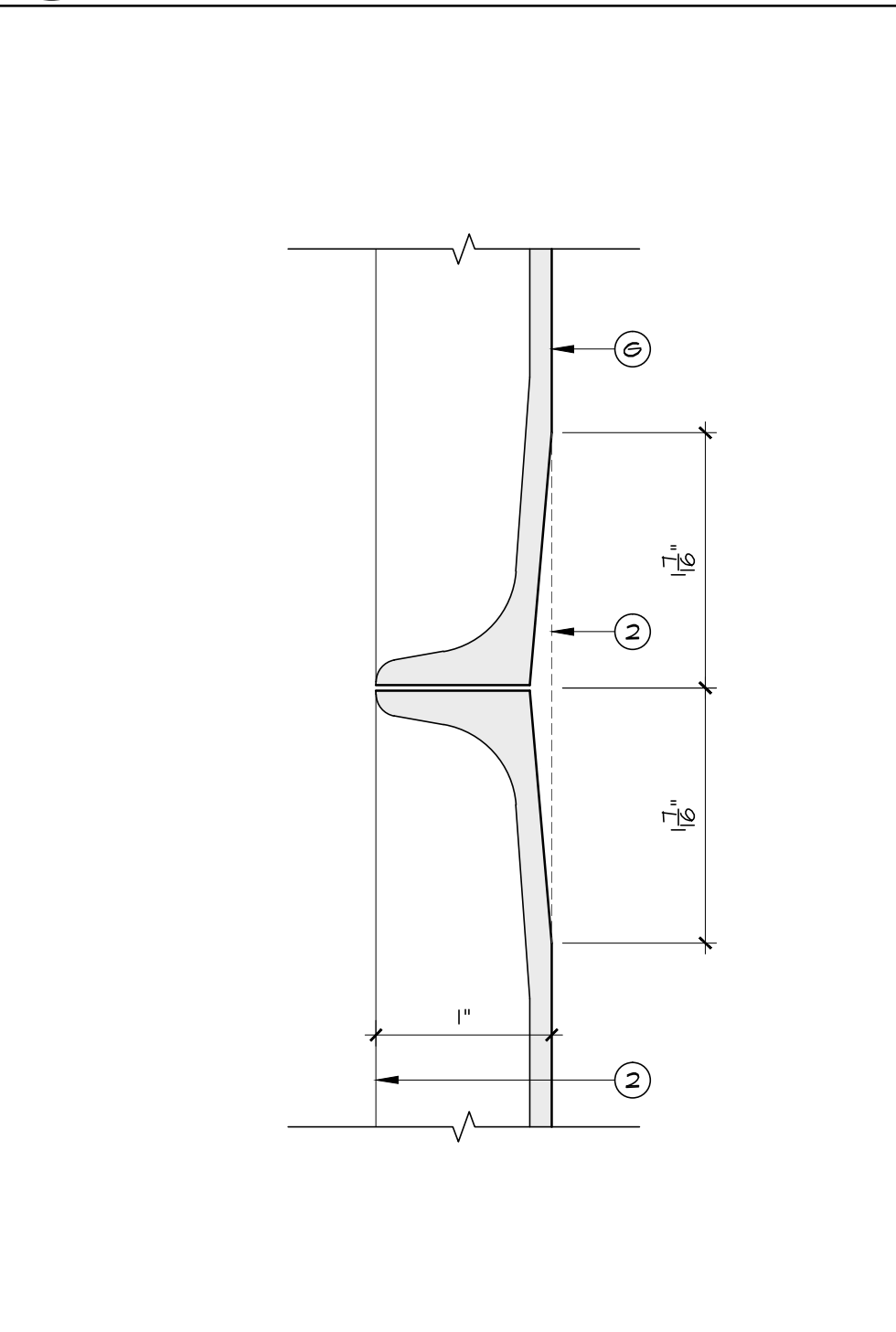
**2 COLUMN ELEVATION**  
SCALE: 1"=1'-0"  
REF:



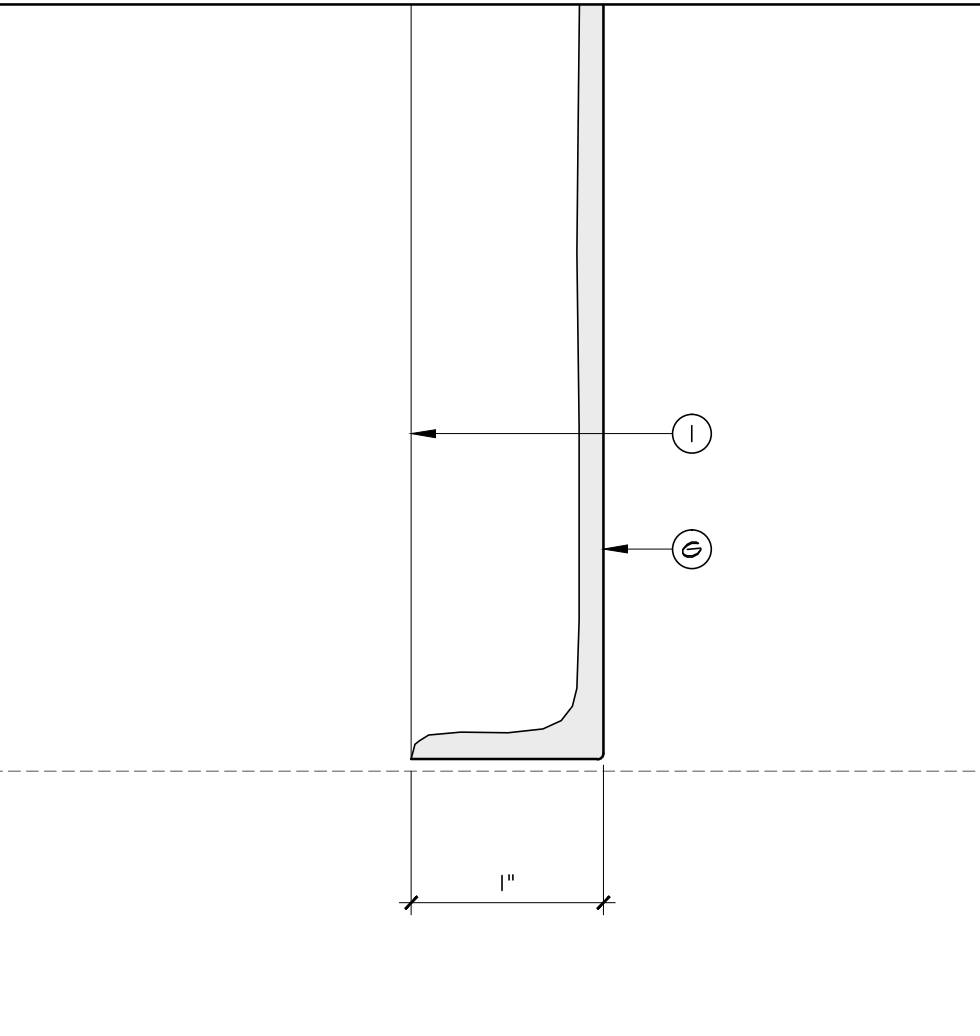
**3 COLUMN PLAN SECTION**  
SCALE: 1 1/2"=1'-0"  
REF:



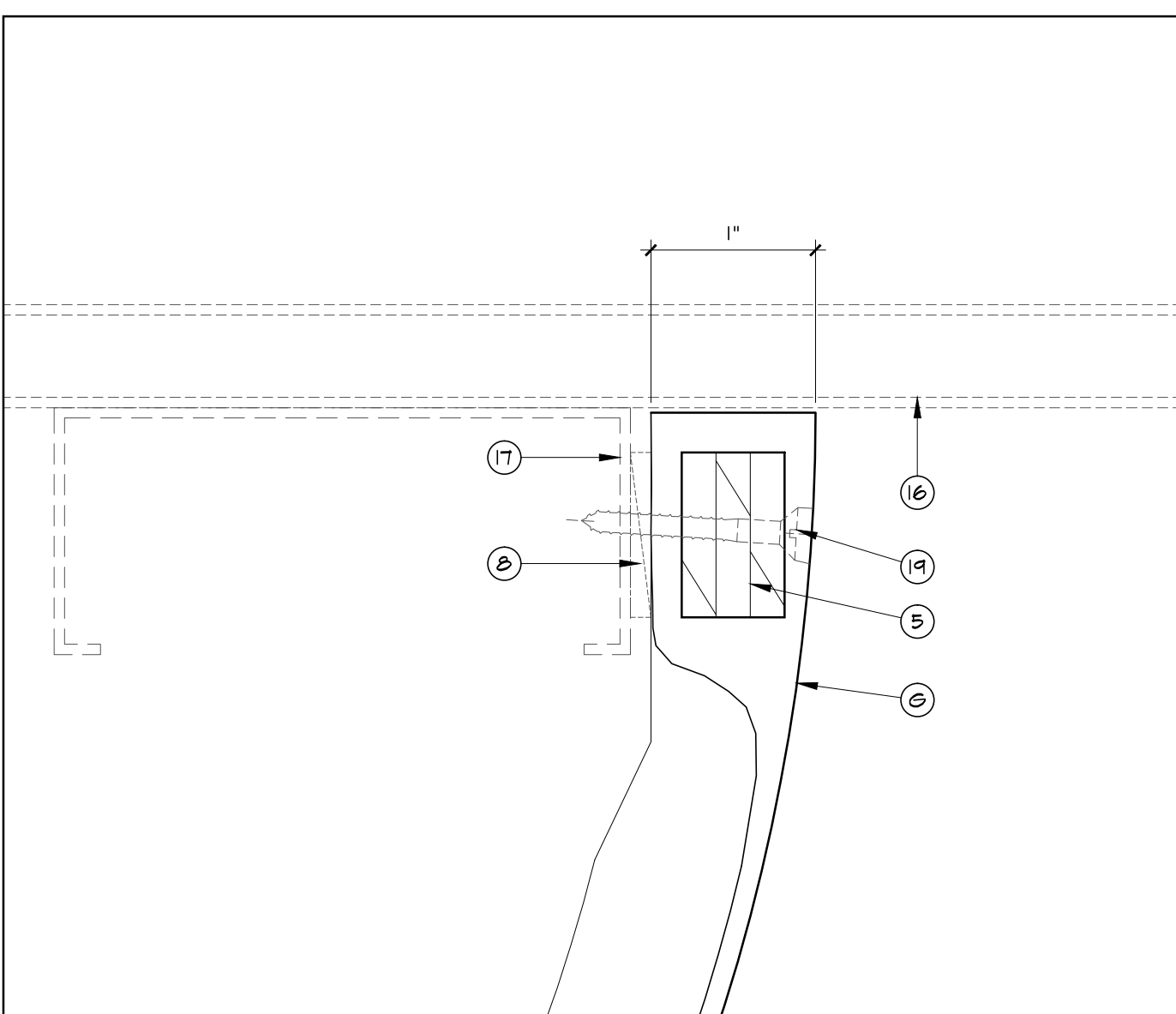
**4 DETAIL AT COLUMN TOP**  
SCALE: FULL  
REF:



**5 HORIZONTAL STACK JOINT**  
SCALE: FULL  
REF:



**6 DETAIL AT COLUMN BOTTOM**  
SCALE: FULL  
REF:



**7 VERTICAL JOINT DETAIL**  
SCALE: FULL  
REF:

**STANDARD LEGEND**  
**G.R.G. (G/PG)**

(G) G.R.G. [GLASS REINF. GYPSUM]	
(PG) G.R.G. [FACTORY FINISHED]	
1 FLANGES	WOOD FLANGES
2 TAPE REVEAL [FIELD TAPED]	STEEL FLANGES
3 JOINT [V]	
4 DRAFT	
5 PLYWOOD REINF. [CONT.'S]	
6 PLYWOOD BLOCK INSERT	
7 N/A	
8 STEEL "L" OR "Z" [NOT CONT.'S]	16 DRYWALL OR PLYWOOD BACKING
9 BUILT-IN "U" REINF. [CONT.'S]	17 FRAMING, BLOCKING, ETC.
10 BUILT-IN ROD REINF.	18 SHIMS
11 BUILT-IN LOOP [HANGER]	19 SCREWS [FILLED AS REQ'D]
12 BUILT-IN WOOD GUSSET	20 CAULKED JOINT
13 BEVEL EDGES / CORNERS	21 ADHESIVE
14 FALSE JOINT	22
15 N/A	23
	24

**BY OTHERS**

**MISCELLANEOUS**

(XX) NUMBER DENOTES RECOMMENDED INSTALLATION SEQUENCE

\* ASTERISK DENOTES SITE CUT PART

ALL BUILT-IN STEEL IS GALVANIZED

**CERTIFICATION**

FORMGLAS IS REGISTERED AS AN ISO 9001-2000 COMPANY

**G.R.G. NOTES**  
ALWAYS FIELD FINISHED

**1. INSTALLATION**

- FASTENING, SUSPENSION AND BRACING METHODS INDICATED ARE TO BE CONSIDERED A GUIDE ONLY. THE INSTALLATION CONTRACTOR SHALL ABIDE BY LOCAL CODES, VERIFY JOB CONDITIONS AND ADJUST INSTALLATION PROCEDURES ACCORDINGLY.
- SOME SITE CUTTING AND/OR GRINDING OF PARTS MAY BE REQUIRED.

**2. TAPING AND CONTROL JOINTS (WHERE APPLICABLE)**

- FOLLOW U.S.G. GYPSUM CONSTRUCTION HANDBOOK (LATEST EDITION) REGARDING TAPING METHODS AND CONTROL JOINTS.

**3. PAINTING**

- SURFACE IMPERFECTIONS WILL OCCUR AT TIMES. SAND OR PATCH WITH SPACKLE / PAINT FILLER COMPOUNDS. FOLLOW A.S.T.M.C. 840 PAINT SPECIFICATIONS REGARDING SEALING AND FINISHING TO AVOID TAPE JOINT READ THROUGH.
- GLOSS PAINT IS NOT RECOMMENDED.

**4. DRAFT ANGLES AND RADI**

- DRAFT ANGLES ARE REQUIRED FOR MOLD RELEASE. UNLESS SPECIFICALLY NOTED, REVEALS, SETBACKS OR RETURNS WILL BE DRAFTED BETWEEN 5° AND 10°. ALL CORNERS WILL HAVE A SLIGHT RADIUS UNLESS SPECIFICALLY NOTED.

**5. TOLERANCES**

SHELL THICKNESS:  $\pm \frac{1}{16}$ " (1.6MM)

DIMENSIONAL IN ALL DIRECTIONS (MIN.):  $\pm \frac{1}{8}$ " (3.2MM)

WARPAGE OR BOWING:  $\pm \frac{1}{16}$ " PER FT (0.5MM PER CM)

FIELD SHIMMING MAY BE REQUIRED

**6. ITEMS EXCLUDED**

- UNLESS SPECIFICALLY NOTED, HARDWARE, CLIPS, FASTENERS, ADHESIVE, CAULKING, TAPING MATERIALS, etc. ARE TO BE SUPPLIED BY OTHERS.

**7. SEE FORMGLAS SPECIFICATIONS**

- FOR ADDITIONAL INFORMATION

**8. NOTE**

- ALL "CUSTOM MOLDS" WILL BE DESTROYED ONE MONTH AFTER DELIVERY OF MATERIALS. CONTRACTOR/ OWNER MAY NEGOTIATE TO RETAIN MOLDS.

**9. NOTE**

DRAWING APPROVAL CONSTITUTES REVIEW OF CONTENT. STANDARD LEGEND, GENERAL NOTES, COLORS/FINISHES/PATTERN AND DIMENSIONAL VERIFICATION. FORMGLAS PRODUCTS LTD. WILL PROCEED WITH MANUFACTURING UPON RECEIPT OF WRITTEN APPROVAL OF SHOP DRAWINGS.

ISSUED FOR APPROVAL

REVISIONS DATE

**Formglas**  
Products Ltd.

2 CHAMPAGNE DRIVE, TORONTO, ONT. M3J-2C5 CANADA  
TEL: (416) 635-8030 FAX: (416) 635-6588  
338 FOURTEEN ST, SUITE 150 AMBRIDGE, PA 15003 USA  
TEL: (724) 266-1220 FAX: (724) 266-7174  
AVE. RUBILINA 88, PARQUE INDUSTRIAL PALAÇO, MEXICALI, B.C.  
TEL: (686) 582-7609 FAX: (686) 582-7615  
E-MAIL: ENG@FORMGLAS.COM

**GRG HALF ROUND COLUMN ELEVATIONS/PLAN/DETAILS**

DATE: SCALE: AS SHOWN  
DRAWN: CHECKED:  
DRWG:

DATE: 03\_OCT\_2011 - 4:56PM  
FILE NAME: G:\BRAID\STANDARD DRAWINGS\GRG\_HALF\_ROUND\_COLUMN\_DETAILS.DWG